

**UTR 75.7XX(T) weekly programming thermostat**

weekly circulation, it is possible to set 6 periods called events each day with different temperatures, also you can select "manual mode" or "comfort mode" according to your individual requirements. The thermostat is recommended for the control of electric heating devices or on/off valve actuator used in water-based heating systems

**Selection Table:**

Model	Current	Application
UTR 75.716T	16A	for control of electric heating devices
75.713T	3A	for control of on/off valve actuator
75.723T	3A+3A	for control of on/off valve actuator
75.03	3A	one potential-free output for NO/NC

For model without affix "T", time will not maintain in the event of a power failure

**Technical data:**

Voltage : AC230V(AC110V / AC24V available)  
 Power consumption : 2W  
 Setting range : 5°C ~50°C (factory setting: 5°C~35°C)  
 Limitation range : 4°C ~99°C (factory setting: 28°C~32°C)  
 Switching differential : ±0.5K  
 Ambient temperature : -5~50°C  
 Protective housing : IP20  
 Housing material : anti-flammable PC  
 Floor sensor : rubber-thermoplastic NTC sensor, cable length is 3m

**Function:**

- manual mode  
Setting temperature according to your individual requirement, permanent override the clock-controlled programming mode
- clock-controlled programme mode  
The day has been split into 6 events with different time and temperature the thermostat will operate automatically according to this presetted programme under this mode
- & "clock" comfort mode  
Change to manual mode, temporarily override the temperature in the 6-event schedule program, the override will operate until the next programmed event when the unit will resume the automatic programme

- Wake-up, event 1
- Leave (am), event 2
- Return (am), event 3
- Leave (pm), event 4
- Return (pm), event 5
- Sleep, event 6
- Heating on
- "Key-lock" function is activated
- Set sensor mode (room sensor, floor sensor, both sensors)
- Set vacation operating mode
- Max. temperature
- Min. Temperature
- Early start adaptive function
- Temperature adjustment ensures accurate measurement
- Display with backlight, stay on for 20 secs.
- Inclined LCD display for better read out
- Zero power consumption after de-energizing

**"Key-lock" function**

Symbol: **Lock**  
 Press both the "▲" and "▼" keys for 5 secs to engage/disengage the "key-lock" function.

**Daily use of the thermostat**

- 1) menu Press the key to select manual mode or clock-controlled programme mode, use the "▲" or "▼" key to enter into comfort mode in clock-controlled programme mode
- 2) plus "▲" & minus "▼" Press the "▲" or "▼" key to increase or decrease your set value
- 3) clock Press the key to set the time and day press the key till the day start blinking, use the "▲" or "▼" key to set the day, press the key to confirm the setting and the hours start blinking, use the "▲" or "▼" key to set the hours, press the "▲" or "▼" to confirm the setting and the minutes start blinking, use the "▲" or "▼" key to set the minutes, press the key to accept the settings
- 4) on/off Press the key to switch on or switch off the thermostat the setted temperature and the time will be displayed on left side of screen alternately, and the room temperature can be directly read out on right side of screen

**Programming: 6-event time and temperature**

Press the key for 5 seconds to begin programming

Key	Event	Symbol	Time	▲ ▼	Temperature	▲ ▼	
	Day 1-5	1		06: 00	Set the start/end time	20°C	Set programmed temperature
		2		08: 00		15°C	
		3		11: 30		15°C	
		4		12: 30		15°C	
		5		17: 00		22°C	
		6		22: 00		15°C	
	Day 6-7	1		08: 00	22°C		
		2		23: 00	15°C		

**Note:**

- 1) the pre-programmed setpoint (15°C) for event 3 & 4 is the same as event 2, please reset it according to you individual requirement
- 2) symbol "off" will be displayed if the setpoint reaches the minimum set value and the thermostat is switched off in this event

**Advanced settings (qualified person preferred)**

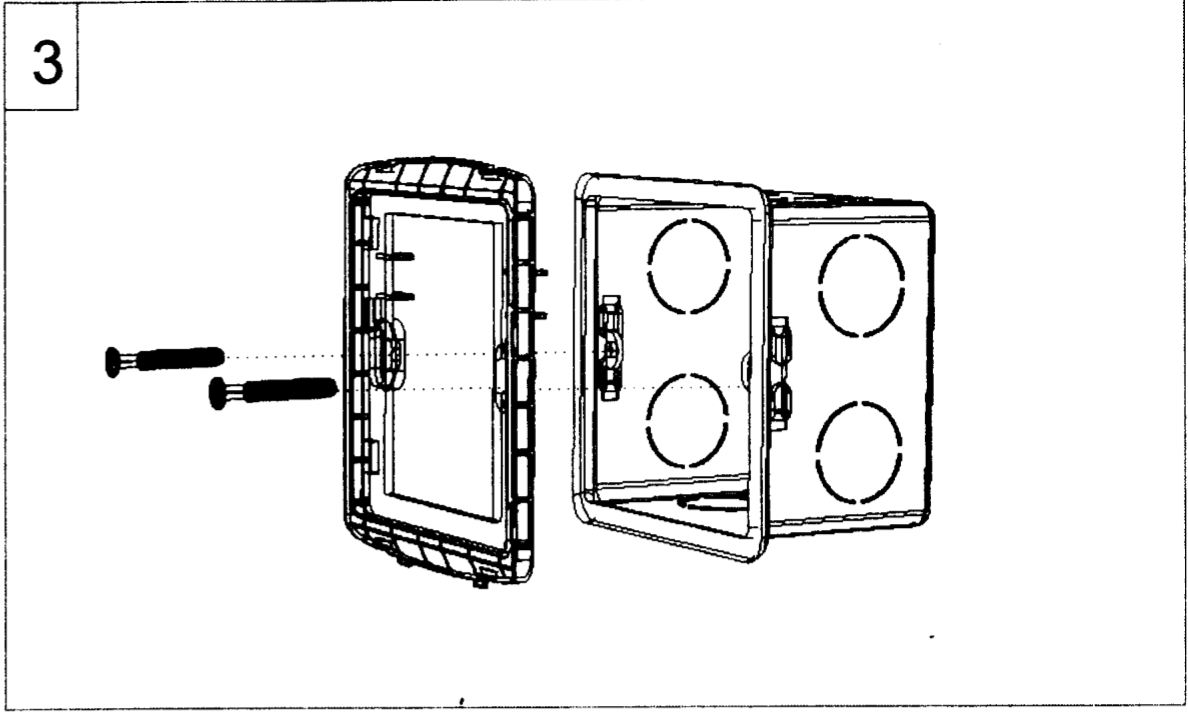
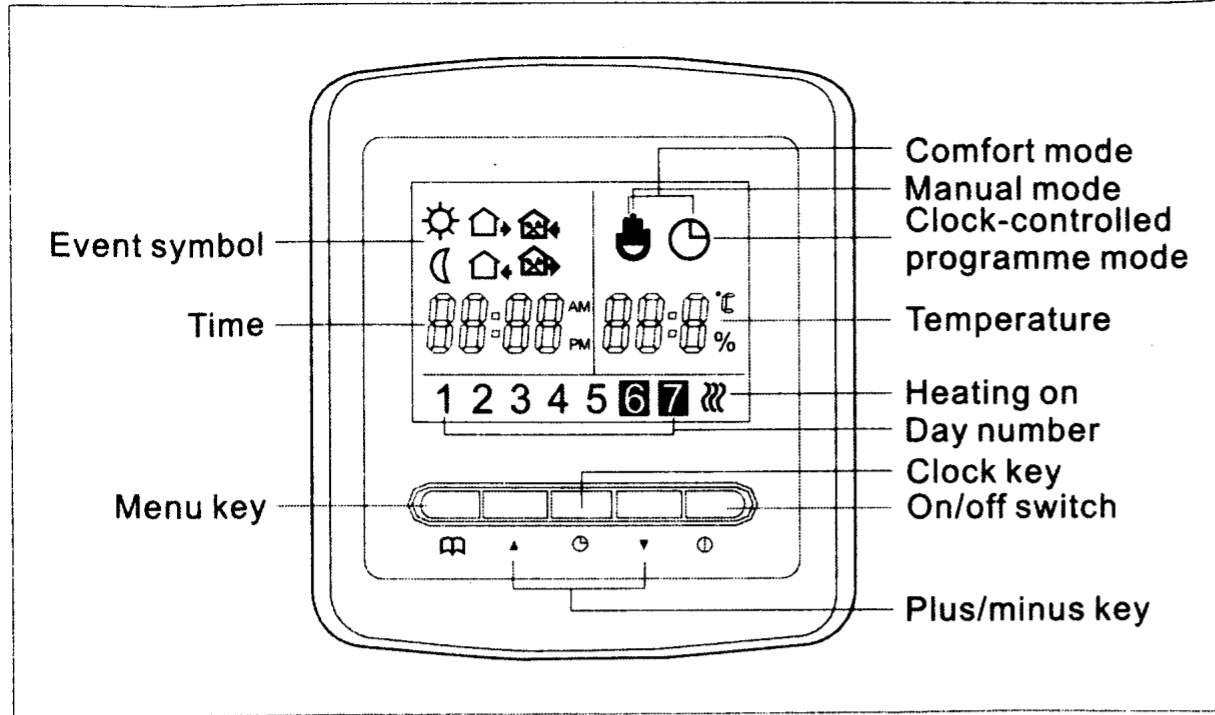
press the key simultaneously switching on the thermostat to enter into the advanced setting mode (when the device is switched off)

Key	Symbol	Setting	▲ or ▼
	1	SEN Sensor mode	IN : built-in sensor OUT: floor sensor ALL : both sensor (floor sensor is the limit sensor)
	2	PRG Set vacation mode	2: 5/2 day mode 1: 6/1 day mode 0: 7 day mode
	3	HI Max. Temperature	Max. Limitation temperature setpoint (99°C)
	4	LO Min. Temperature	Min. Limitation temperature setpoint (4°C)
	5	ADA Adaptive function	ON : preheating 30 minutes early OFF: cancel adaptive function
	6	ADJ Temperature calibration	Adjust measured temperature
	7	ECE Monitoring of energy consumption	Total switch-on time in percentage in the latest 3 days
	8	FAC Rest to factory setting	Programming parameters will be reset to factory settings when "----" appears
	9	DEA Auxiliary potential-free output (only for RTC75.72X)	00: O/P when the thermostat is switched on 01: O/P together with the main loop 02: built-in sensor control main loop floor sensor control auxiliary loop 03: O/P,NOP 30s alternately by the main loop 05: O/P 5mins, NOP 10mins in turn 10: O/P 10mins, NOP 20mins in turn 15: O/P 15mins, NOP 30mins in turn
	10	BAT Model selection	YES: UTR75.7XXT NO : UTR75.7XX

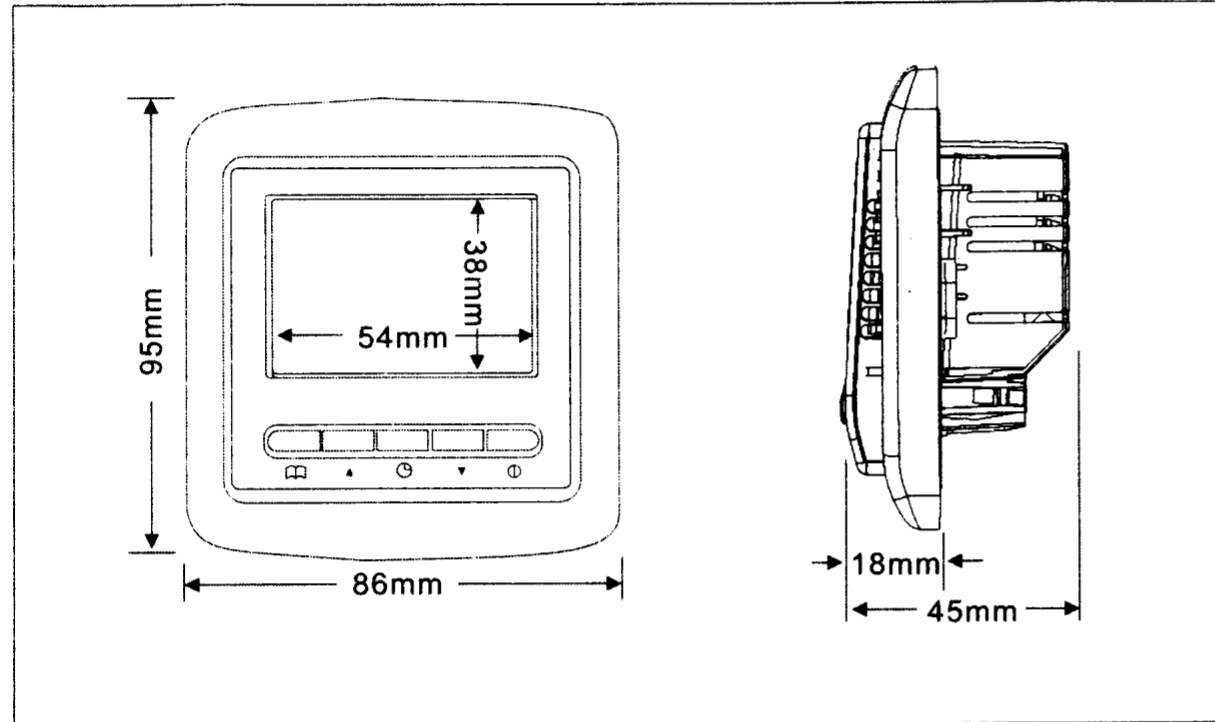
**Sensor failure:**

Please select the right sensor mode when operation, it will display the "Err" symbol on screen for sensor failure, thermostat must be checked till the fault is eliminated

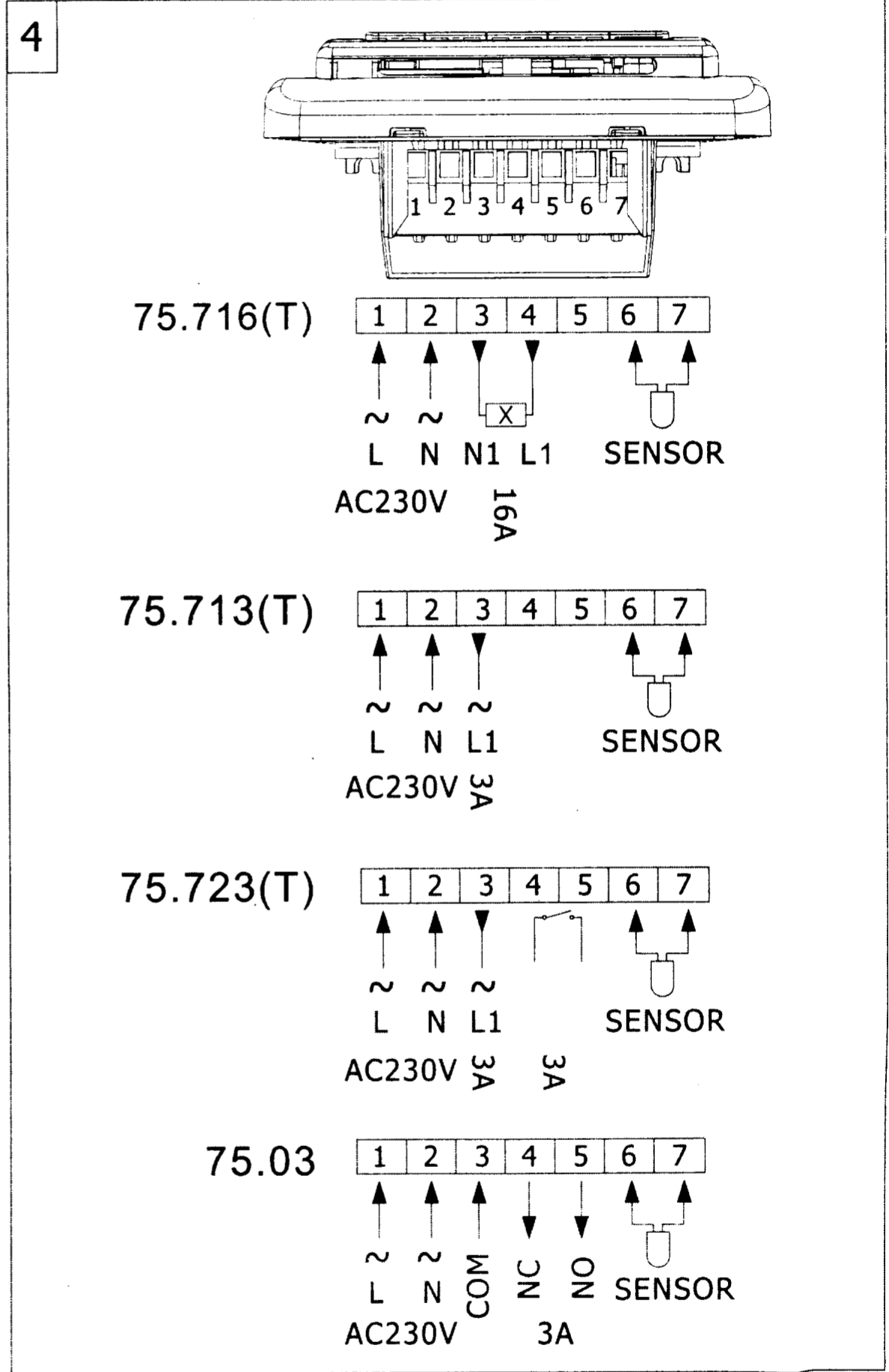
Explanation of symbols



Dimension:



Wiring diagram



Mounting steps:

